

2500XT

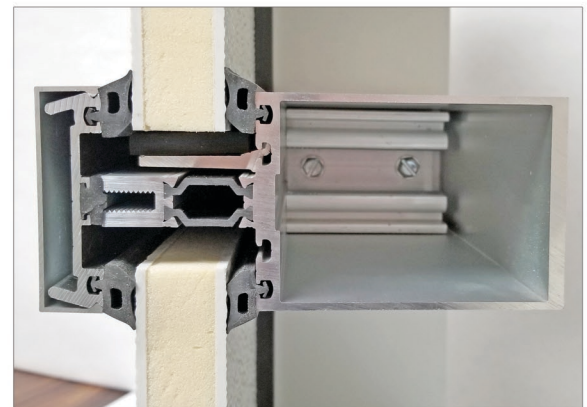
Thermal Aluminum Curtain Wall System



With a 2-1/2" sightline and multiple back member sizes, this structurally engineered curtain wall can accommodate much larger openings, providing a great solution for design parameters on a building envelope. Enjoy superior performance with a 15/16" thermally broken polyamide strut on this outside glazed system that separates hot and cold temperature transfer, improving thermal u-value. Depending on specific load requirements, framing members are offered in different sizes and internal steel can be inserted within the aluminum framing for extra reinforcement. Integration of Capitol's entrance systems will enhance building design and aesthetics.

Features

- * 2-1/2" face sightline and multiple depths to accommodate most structural and aesthetic project requirements
- * Anodized and painted finishes available with two-color combination capabilities
- * Captured and Structural Silicone Glazed (SSG) options available
- * Accommodates glazed-in ventilator units
- * 1" and 1/4" infills
- * Thermally broken, outside glazed system
- * Accommodates single, twin, and multi-span applications
- * Custom projected and bull-nose face caps available
- * Zone-glazed for exceptional water control
- * Allows for Sun Shade/Light Shelf integration
- * Veneer system available
- * Concealed fastner, shear block assembly for stick erection



PRODUCT SPECIFICATIONS

Frame Type:	Curtain Wall
Sightline:	2-1/2"
Thermal Strut Size:	15/16" (24mm)
Pressure Plate Type:	Aluminum
Overall System Depths:	5-13/16", 6-13/16", 7-13/16", and 9-1/16"
Construction:	Shear Block
Glazing Plane:	Outside and Front Set
Glazing Thickness:	1"

PERFORMANCE TEST STANDARDS

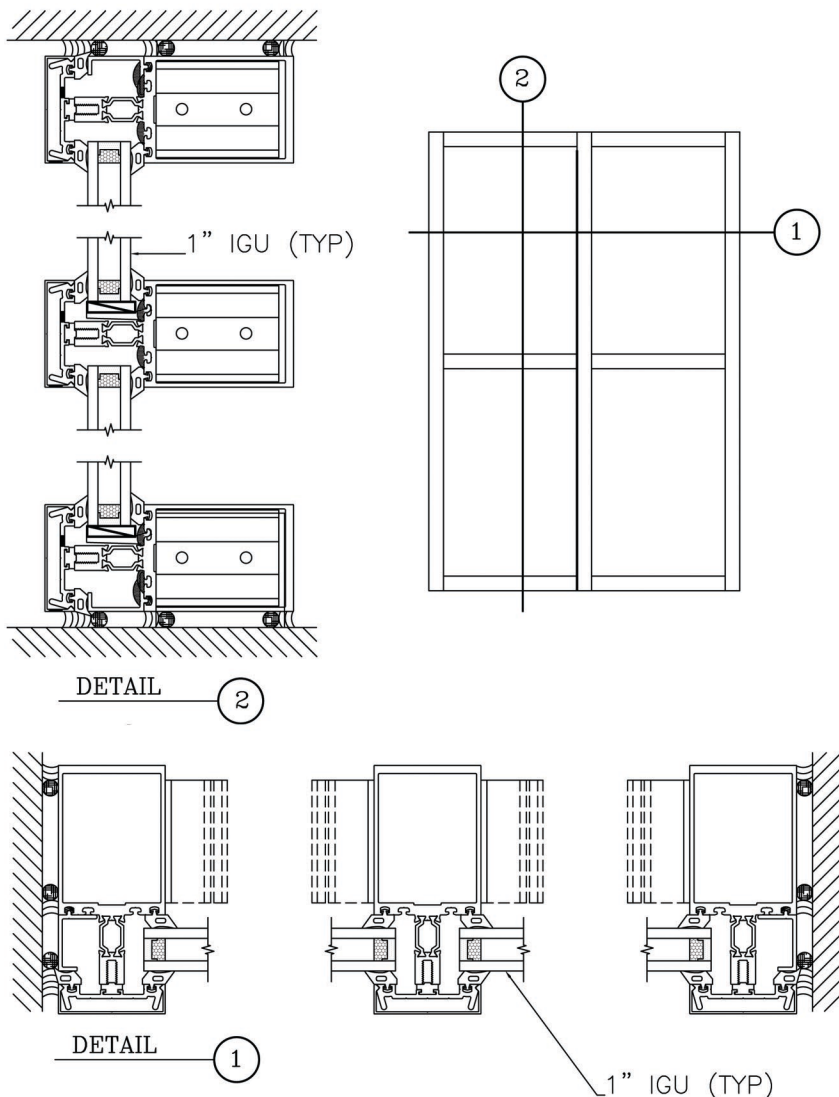
Air Infiltration:	ASTM E283
Water Penetration:	ASTM E331
Uniform Load Deflection:	ASTM E330
Uniform Load Structural:	ASTM E330
Thermal Transmittance:	NFRC 100
Solar Heat Gain:	NFRC 200
Visible Light Transmittance:	NFRC 200
Sound Transmission:	ASTM E90
Condensation Resistance:	NFRC 500

THERMAL PERFORMANCE

NFRC 100 · 1" IGU with Low "E" · BTU/hr · FT² · °F

COG U-Factor:	0.30	0.28	0.24	0.20	0.16	0.12
2500XT:	0.35	0.33	0.30	0.27	0.23	0.20

*Contact Capitol for specific CAD details, spec writing assistance, or physical test reports. Visit us online for more information at www.capitol-windows.com



Capitol Aluminum & Glass Corporation
 1276 West Main Street, Bellevue, OH 44811
 (800) 331-8268 | www.capitol-windows.com

