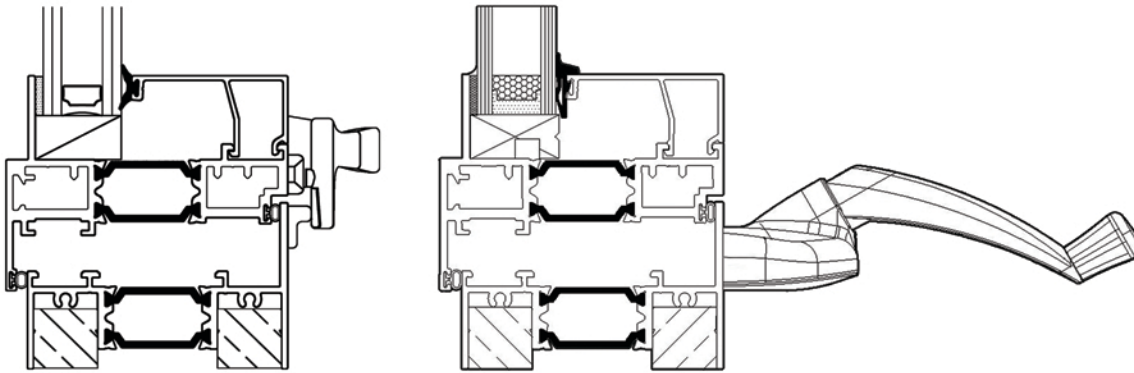


# 325 ES-I Series

## 3-1/4" Energy Sentry® AW-Rated Polyamide Thermal Break Aluminum Window Systems



Capitol 325 ES-I Series window systems are AW-Rated thermally broken systems with a polyamide thermal break to maximize energy performance. This window series is available in multiple configurations and arrangements to meet project designs and building functionality - projected awning, hopper, casement, fixlite, and egress options available.

### Features & Benefits

- Polyamide structural thermal break strip (34mm)
  - improved u-value range .25 - .50
- Incorporates Euro-groove hardware technology
  - reliability
- Can be manufactured to meet Egress building codes
  - provides a safe escape option in case of emergency
- Factory glazing
  - ensures quality
- Crimped sash corners
  - improves structural integrity
- Dual compression weather-stripping
  - prevents air & water infiltration

### Options

- Factory glazing or open for 1" infill
- Hinged or screw applied access panel with 5/8" integral blinds
- Tubular sliding wicket or flat screens
- Internal or surface applied muntins
- Variety of anodized and painted finish colors
  - dual finish capability
- Multiple trim options: receptors mullions, pannings, sills, snap trims
- Projected vent, hopper, casement, and fixed configurations



1276 W. Main Street  
Bellevue, OH 44811

(800) 331 - 8268  
Fax (419) 483 - 7830

Visit us on the web at:  
[www.capitol-windows.com](http://www.capitol-windows.com)

E-Mail us at:  
[sales@capitol-windows.com](mailto:sales@capitol-windows.com)



Your Solutions-Based Alternative for Architectural Aluminum Products and Services